

## Bluetooth HxM Heart Rate Monitor

### PRODUCT DESCRIPTION

The Bluetooth HxM Heart Rate Monitor system consists of a Bluetooth HRM device, and Zephyr Smart Fabric sensor strap.

The device contains an internal accelerometer and provides algorithm-derived speed, distance and stride count data.

An SDK document describing communications protocols and data packet contents is available free on return of a signed EULA agreement.



### Company Information

Zephyr Technology

1 Annapolis St.  
Suite 200  
Annapolis  
MD 21401  
USA

Tel: +1 (443) 569-3603  
Fax: +1 (443) 926-9402  
Email: [info@zephyr-technology.com](mailto:info@zephyr-technology.com)  
[www.zephyr-technology.com](http://www.zephyr-technology.com)

*Data subject to change*

### FEATURES

- Compact
- Robust
- Lightweight
- Comfortable, Washable Strap
- Rechargeable Batteries
- Heart Rate
- Heart R-R
- Speed
- Distance
- Strides

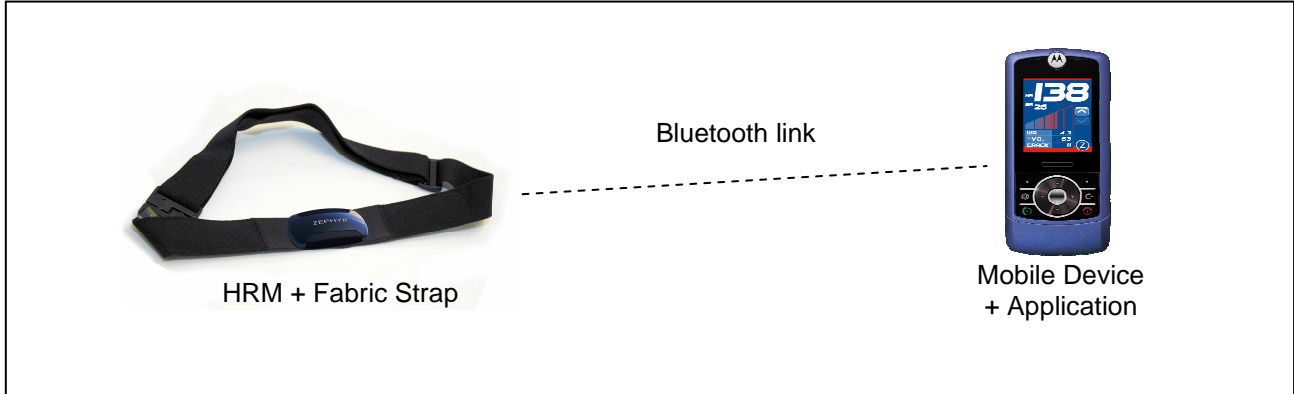
### APPLICATIONS

- Consumer Fitness
- Corporate Wellness
- Weight Loss

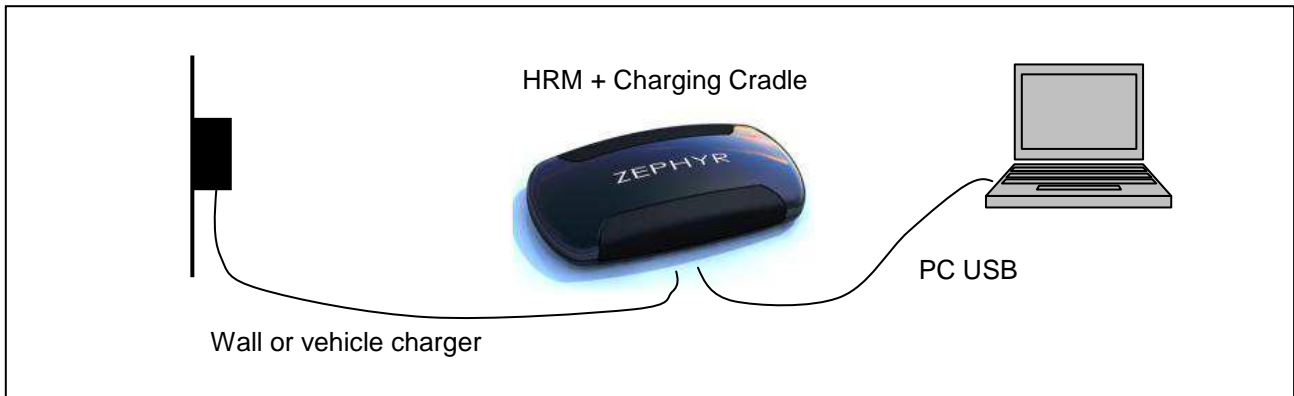


## System Diagrams

### Data Transmit



### Battery Charge Options



**Specifications** (Unless otherwise stated: Temperature = 25 °C, Pressure = 1 ATM )

<b>Power Supply:</b>	
Type:	Lithium Polymer, rechargeable
Storage Life:	6 months between charges
Voltage	3.6 V to 4.2V
Charge Time:	1hr to 90%, 3hrs to 100%
Charge Duration:	24 hrs
Charge Cycles:	500

<b>Transmitter:</b>	
Bluetooth Compliance	Version 2.0 + EDR
Supported Profile	Serial Port
Operating Frequency	2.4 to 2.4835 GHz
Output Power:	2 mW
Operating Range:	30 ft / 10 m typical radius indoors (line of sight)
Operation:	Bluetooth Slave
Antenna Type:	Internal

Parameter	Notes/	Values			Unit
		Notes	Min	Typ	
<b>Heart Rate</b>					
Range		30		240	BPM
Accuracy			1		BPM
Time to first lock	At 60 bpm		7		s
No Signal Response time	60 to 0 bpm		7		s
Sampling Rate			250		Hz
DC Input impedance	Between snaps	20			MΩ
Input Dynamic Range		0.2		10	mV <sub>pp</sub>

Parameter	Notes	Values			Unit
		Min	Typ	Max	
<b>Garment</b>					
Number of washes	1		50		BPM
<b>Environmental (Operating)</b>					
Humidity		5		95	%RH
Temperature		-10		50	°C
Water Resistance		0 M AS Per ISO2281			

1. When following Zephyr washing instructions.

**International Standards**

The BT Heart Rate Monitor has been designed to conform to the following:

FCC Part 15 and RTTE Directive (Europe)

## Hazards

- Subjects fitted with a heart pacemaker should not use this device
- Device should not be worn in explosive atmospheres (such as gas stations)
- Device should not be worn near blasting areas where radio detonation methods may be used

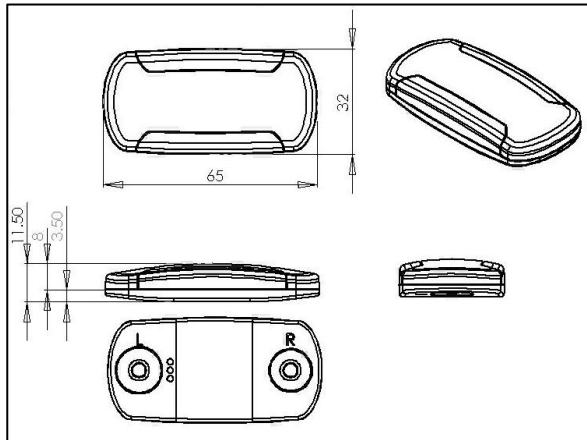
## Storage Limits

Parameter	Notes/ Conditions	Values		Unit
		Min	Max	
Storage Humidity		5	95	%RH
Storage Temperature (< 1 month)	Power off	-20	45	°C
Storage Temperature (< 6 month)	Power off	-20	35	°C
Altitude			15000	Ft ASL

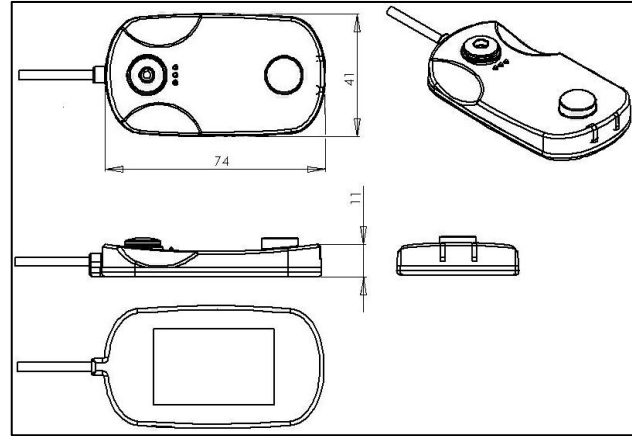
Recommended storage Temperature: 20°C

**Mechanical Characteristics**

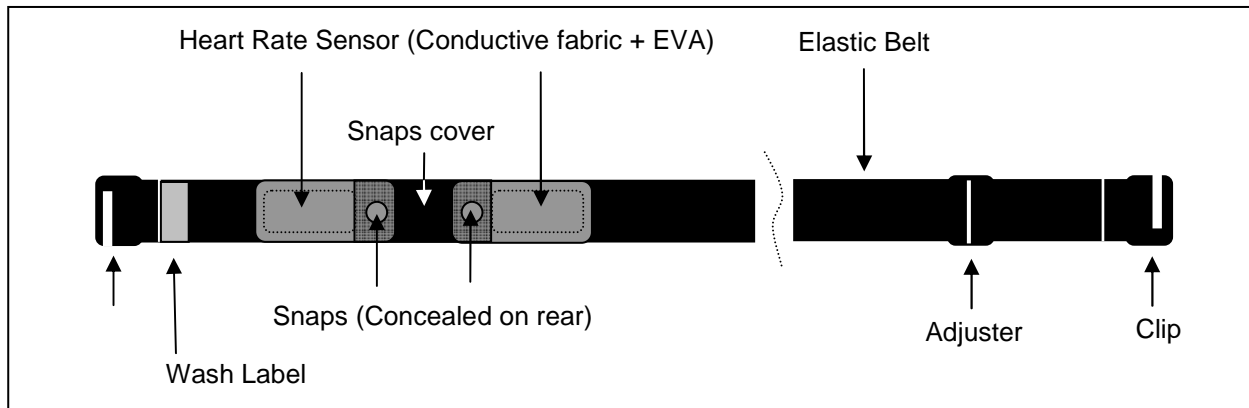
Dimensions	Device	65 x 32mm
	Charge Cradle	74 x 41 mm
	Strap	1020 x 30 mm (unstretched: S – XL adjustable)
Weight	Strap	30 g
	Transmitter/recorder	17 g



Device



Cradle



Strap

The information in this document is believed to be accurate in all respects at the time of publication but is subject to change without notice. Zephyr Technology assumes no responsibility for errors or omissions, and disclaims responsibility for any consequences resulting from the use of information included herein. Additionally, Zephyr Technology assumes no responsibility for the functioning of undescribed features or parameters. Zephyr Technology does not assume any liability arising out of the application or use of any product, and specifically disclaims any and all liability, including without limitation consequential or incidental damages.

Zephyr Technology products are not designed, intended or authorised for use in applications intended to support or sustain life, or for any application in which the failure of the Zephyr Technology product could create a situation where personal injury or death may occur. Should Buyer purchase or use Zephyr Technology products for any such unintended or unauthorised application, Buyer shall indemnify and hold Zephyr Technology harmless against all claims and damages. y and hold Zephyr Technology harmless against all claims and damages.